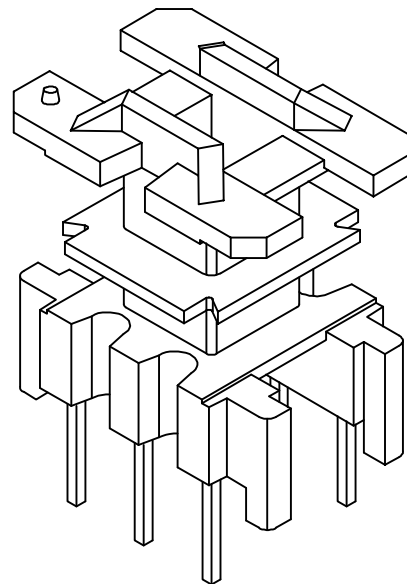
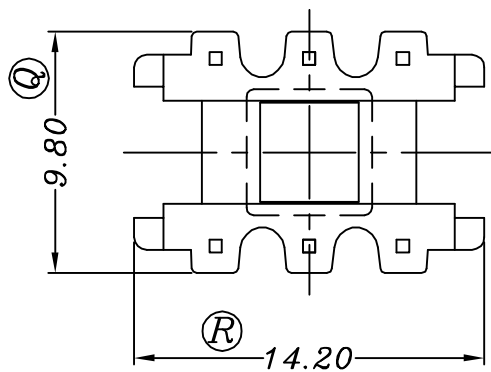
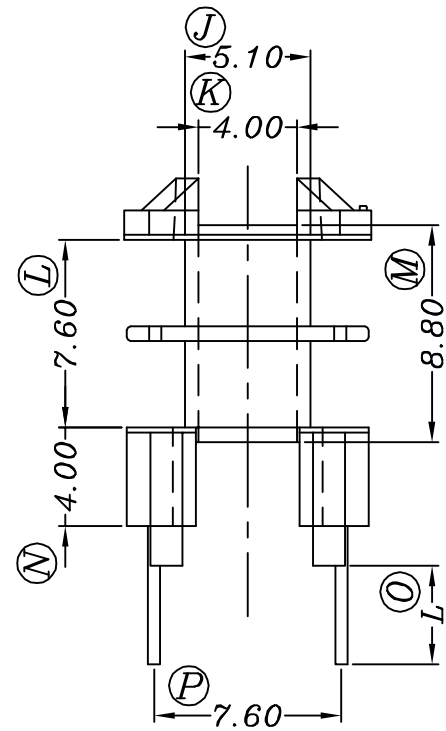
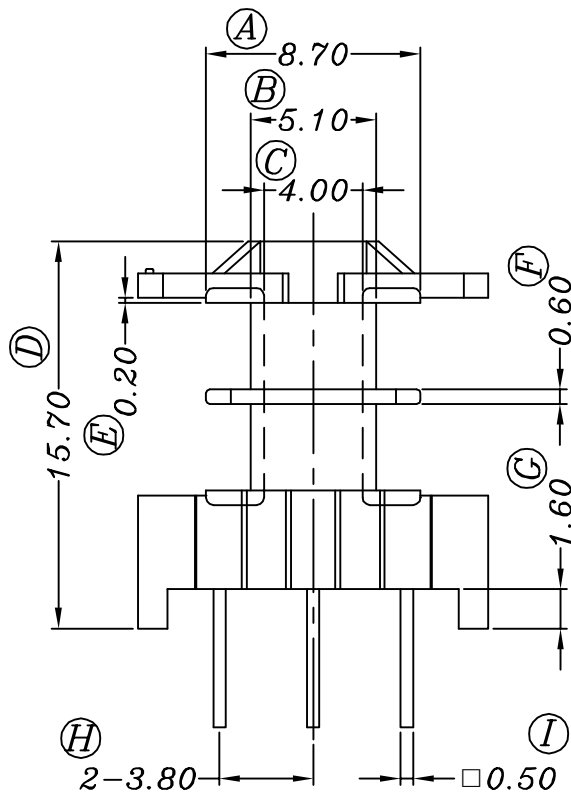


FWB1201-1



REV	REVISION RECORD	DATE	REV	REVISION RECORD	DATE		
A			C				
B			D				
NAME	EF12.6 3+3P	MATERIAL	PLASTIC	PHENOLIC	ANGLE	$\pm 1^\circ$	
DRAWING NO.	FWB1201-1	PIN MATERIAL	CP WIRE	UNIT	m/m	REV	A
TOLERANCE OF PIN PITCH ± 0.20				HAINING FERRIWO ELECTRONICS CO.,LTD. TEL: +86-573-87088701 FAX: +86-573-87081130 Web: www.ferriwo.com Email: sales@ferriwo.com			
PIN TENSION LOAD		kg MN	UL REC: 94V-0				
TOLERANCE: $0 < L \leq 4$: ± 0.2		$4 < L \leq 16$: ± 0.3	$16 < L \leq 63$: ± 0.4				